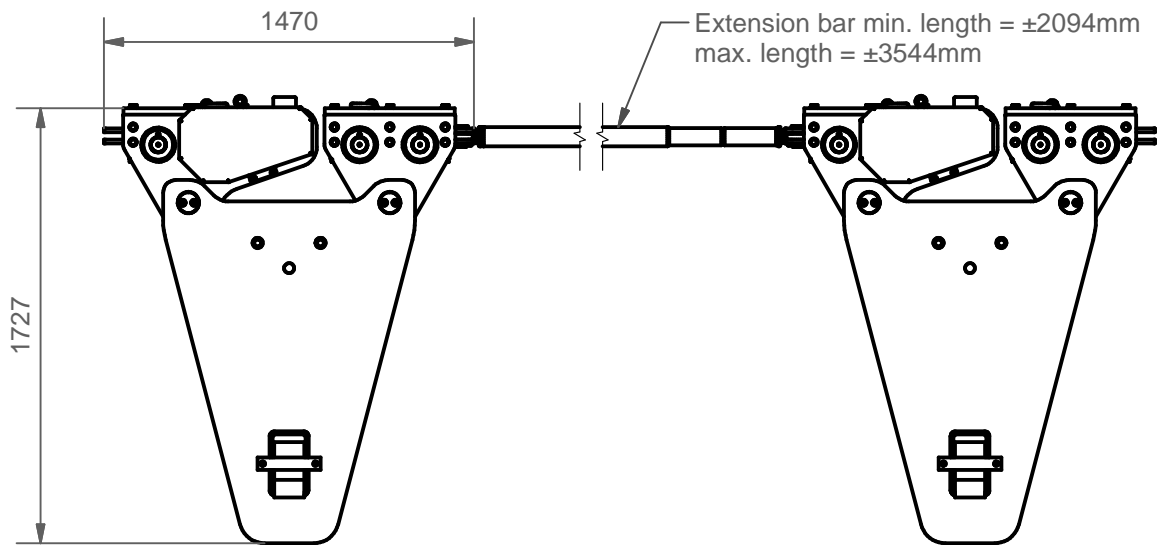
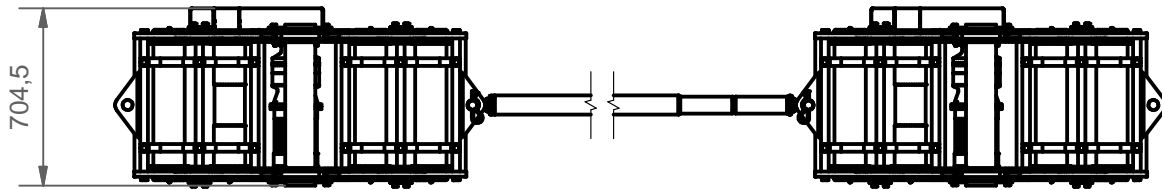
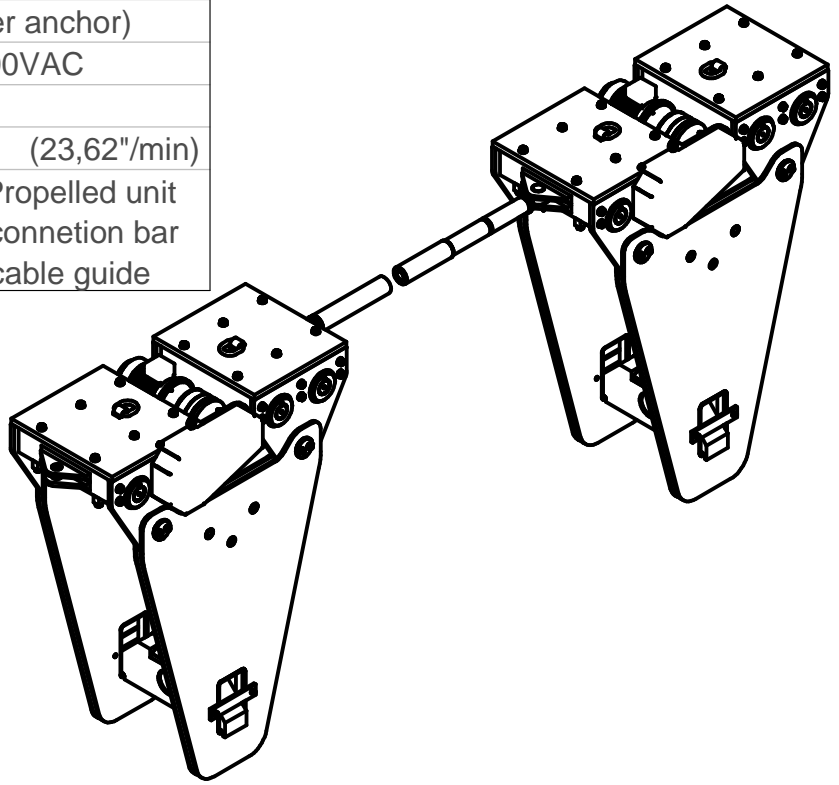
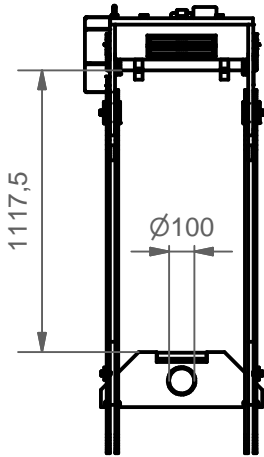


Features BSSBL400

Self weight propelled unit:	1158 kg	(2553 lbs)
Self Weight connecting bar:	64 kg	
Capacity:	1000 kN	(per anchor)
Powered:	0,75 kW.	400VAC
Frequency:	50/60 Hz	
Speed:	60 cm/min	(23,62"/min)
Model number BSSBL400 includes: 4x Propelled unit 2x connetion bar 4x cable guide		



OPAALSTRAAT 44, 7554 TS HENGELO HOLLAND
PO BOX 421, 7550 AK HENGELO HOLLAND
TELEPHONE 074-2422045 FACSIMILE 074-2430338

ENERPAC 
COPYRIGHTS RESERVED

3rd ANGLE
PROJECTION

Model Number:

BSSBL400

Main Assembly Number:

03015.01.00.00

Drawing Number:

03015.50.00.00

REV.: 0

DATE:

04-11-2013

SCALE:

1:30

FORM:

A4